

Products

For vessels (including vessels, ships and submarines)

Safety is particularly important for the operation of ships, and fuses, which are safety devices for electrical equipment, must also be used with extremely reliable fuses. Cellowrite fuse has been certified by the classification society of each country, ensuring performance quality for ships for many years through research and experience.



For ship: UC 0 type non re-use type (type A) Non re-use type
high blocking capacity current limiting fuse

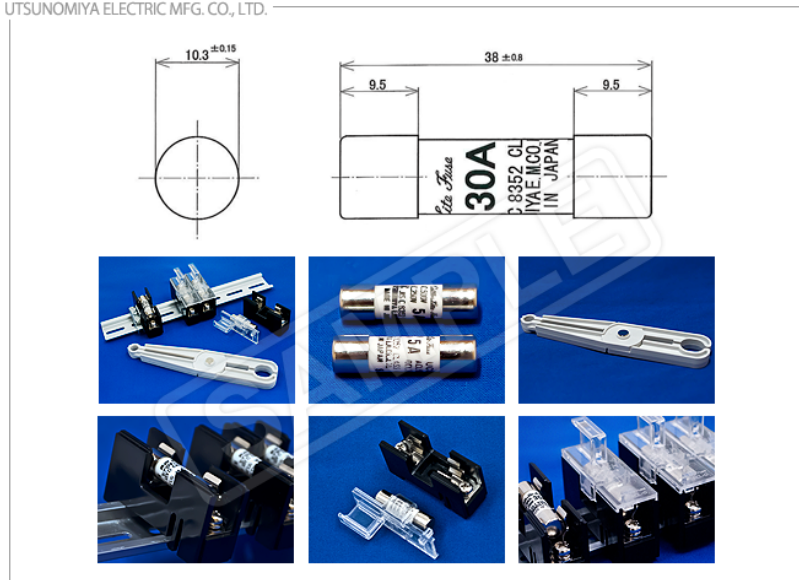
Certified NK, LR, ABS, KR, CCS, BV

Classification Compliance Society: Conformed to JIS C 8352, conformed to JIS C 8269-11

standard:

Cello Light Fuse Model UC 0 is a compact, low cost, high breaking capacity fuse newly developed for ships. We also have dedicated holders " **FHL - 0** " and " **Fuse carrier FCL - 0** " which are **commonly used for DIN rail / direct mounting**, and " **Fuse - blown** " which can attach and detach fuses even when connecting and connecting .

UTSUNOMIYA ELECTRIC MFG. CO., LTD.



※ Click to enlarge

Model UC0

Model name	Rated voltage (V)	Rated current (A)	Fusing coefficient	Rated breaking capacity (kA)	NK certification number	JIS standard	Remark
UC 0	AC 500 DC 250	1, 2, 3, 5, 10, 15 20, 25, 30	1.35 (Class A)	AC 50 (ACL 50) DC 20 (DCL 20)	09T101	Conformed to JIS C 8352, conformed to JIS C 8269-11	



For ships: UC, UB non re-use type (type A) Non re-use type
high blocking capacity current limiting fuse

Certified NK, LR, ABS, BV, KR, GL, CCS

Classification Compliance Society: Conformed to JIS C 8352, conformed to JIS C 8314

standard:

It conforms to JIS standard dimensions CF2, CK2.

Model UC, UB

Model name	Rated voltage (V)	Rated current (A)	Fusing coefficient	Rated breaking capacity (kA)	NK certification number	JIS standard	Remarks
UC 1	AC 500 DC 250	1, 3, 5, 10, 15 20, 25, 30	1.35 (Class A)	AC 50 (ACL 50) DC 20 (DCL 20)	68T103	CF2 compliant	
UC 2		40, 50, 60			68T104	CF2 compliant	
UB 3		75, 100			68T105	CK2 compliant	
UB 4		125, 150 175, 200			68T106	CK2 compliant	



For ship: NC, NB type re-use type (type A) For ship: FC type re-use type (type A)
sealed cylindrical fuse

Certified NC, NB type: NK, LR, BV, GL, ABS (NC 0 only)
Classification Society: Compliance standard: NC, NB type: Conformed to JIS C 8352
Conformity to JIS C 8314
Model FC: NDS F 8801 E (Ministry of Defense Ministry)

Because of the re-used shape, it is possible to economically save storage spaces for spare parts.

Model NC, NB						
Model name	Rated voltage (V)	Rated current (A)	Fusing coefficient	Rated breaking capacity (kA)	NK certification number	Remarks
NC 0	AC 500 DC 250	1, 3, 5, 10 15, 20, 25, 30	1.35 (Class A)	AC, DC 20	67T101	Non-reusable form
NC 1		1, 3, 5, 10 15, 20, 25, 30			60T101	Reformatted form
NC 2		40, 50, 60			60T102	
NB 3		75, 100			60T103	
NB 4		125, 150 175, 200			60T104	

Model FC						
Model name	Rated voltage (V)	Rated current (A)	Fusing coefficient	Rated breaking capacity (kA)	Ministry of Defense Ministry (NDS)	Remarks
FC 0	AC 500 DC 250	1, 3, 5, 10 15, 20, 25, 30	1.35 (Class A)	AC, DC 20	F8801E	Non-reusable form
FC 1		1, 3, 5, 10 15, 20, 25, 30				Reformatted form
FC 2		40, 50, 60				
FC 3		75, 100				
FC 4		125, 150 175, 200				



For ships: FU, FB type non re-use type (type A) non re-use type
high blocking capacity current limiting fuse

Accreditation organization: Approved by Ministry of Defense

- FC 2, FC 3, FC 4 replacement compatible dimensions
- The cutoff performance is improved to 50 kA AC.
- The outer pipe is made FRP in a non-reuse system, and the reliability of impact resistance is raised.

Model FU, FB						
Model name	Rated voltage (V)	Rated current (A)	Fusing coefficient	Rated breaking capacity (kA)	Ministry of Defense Ministry (NDS)	Remarks
FU 2	AC 500 DC 250	40, 50, 60	1.35 (Class A)	AC 50 (ACL 50)	Approved by Ministry of Defense	Non-reusable form
FB 3		75, 100		DC 20 (DCL 20)		
FB 4		125, 150, 175, 200				



For marine: JG, JK non re-use type (type A) For ship: FG type non re-use type (type A)
Large breaking capacity fuse

Accreditation organization: See the table below
Compliance standard: Conformed to JIS C 8352, conformed to JIS C 8314, NEMA compliant

It can be widely used for circuits with large short-circuit capacity.

Model JG, JK						
Model name	Rated voltage (V)	Rated current (A)	Fusing coefficient	Rated breaking capacity (kA)	NK certification number	Certified Classification Society
JG1S	AC 450	3, 5, 10, 15, 20, 25, 30	1.35 (Class A)	200	-	BV, KR, ABS
JG1B					88T103	NK, CCS
JG1		3, 5, 10, 15, 20, 30			88T102	NK, KR, LR, BV, ABS, GL, CCS
JG 2		40, 50, 60			66T101	NK, KR, LR, BV, GL, CCS
JK 3		75, 100			66T102	GL, CCS
JK 4		125, 150, 175, 200		66T103	NK, LR, BV, GL, CCS	
JK 5		250, 300, 350, 400		66T104	NK, LR, BV, CCS	
		450, 500,				

JK 6		600			66T105	
JK 8		800, 1000				Semi-standard (custom order)
JK 10	AC 600	1200, 1600, 2000			-	

FG type (for Aegis ships)						
Model name	Rated voltage (V)	Rated current (A)	Fusing coefficient	Rated breaking capacity (kA)	Certification number	Remarks
FG 1	AC 500	3, 5, 10, 15, 20, 25, 30	1.35 (Class A)	100	Approved by Ministry of Defense	



For submarines: SFC, SHFC type
direct current fuse for submarine

Compliance standard: NDS F 8871 B (Ministry of Defense Ministry)
It can be used for NDS compliant submarine DC circuit.

SFC, SHFC type				
Model name	Rated voltage (V)	Rated current (A)	Rated breaking capacity (kA)	Remarks
SFC 0 B	DC 750	3, 5	DC 30	
SFC 1 B		10, 15, 20, 25, 30		
SFC 2 B		40, 50, 60		
SFC 3 B		75, 100		
SFC 4 B		150, 200		
SFC 5 B		300, 400		
SFC 6 B		500, 600		
SFC7B		800, 1000		
SHFC 0 B	DC 1,000	3, 5		
SHFC 1 B		10, 15, 20, 25, 30		
SHFC2B		40, 50, 60		
SHFC3B		75, 100		
SHFC4B		150, 200		
SHFC5B		300, 400		

For other details, please contact [our sales department](#).

Symbols / Abbreviations

Accreditation abbreviation

NK ... Nippon Kaiji Kyokai, **LR** ... Lloyd's Register, **ABS** ... US Classification Society, **KR** ... Korea classification, **BV** ... France classification societies, **GL** ... German Classification Society, **CCS** ... China Classification Society

performance characteristics abbreviations

A species ... fusing ratio 1.35, **B species** ... blown ratio 1.6

compliance abbreviations

JIS ... Japanese industrial standards, **IEC** ... International Electrotechnical Commission standard, **JEM** ... Japan electrical Manufacturers' Association standard, **NEMA** ... North America electrical equipment Industries Association standards, **JEC** ... the Institute of electrical Engineers of electricity Standards survey standard, **NDS** ... Ministry of Defense Ministry of Defense, **NK** ... Japan Sea Association Standard, **BS** ... British Standards Association

**IF YOU NEED ANY HELP IN DETERMINING WHAT FUSE YOU NEED
CONTACT NATIONAL FUSE PRODUCTS**

PHONE: 1-800-328-0496
EMAIL: SALES@NATIONALFUSE.COM

OUR CUSTOMER SERVICE TEAM WILL BE HAPPY TO HELP YOU!