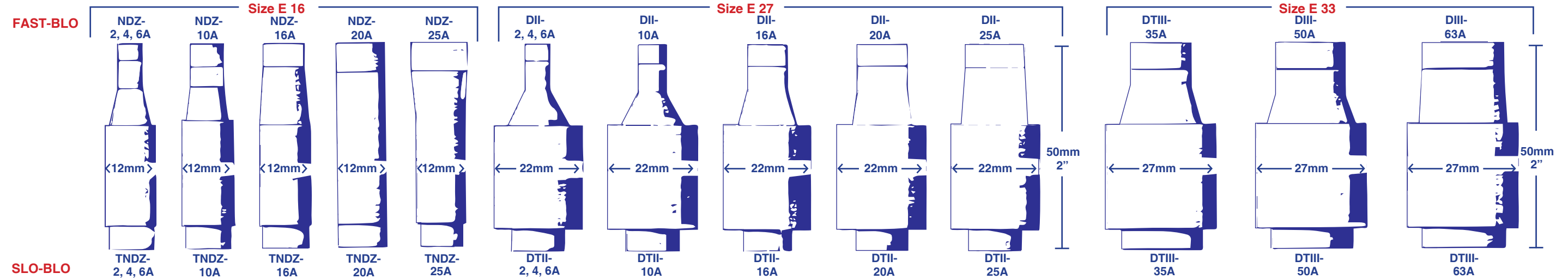


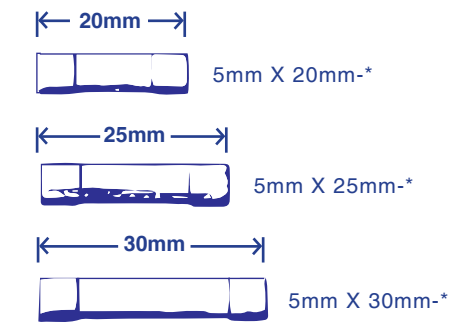
EUROPEAN FUSE WALL CHART

Actual Size



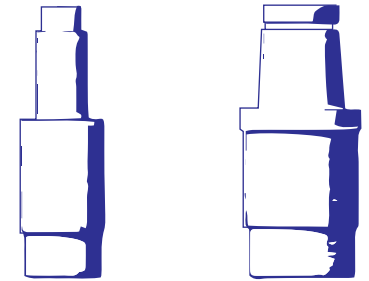
FOREIGN FUSE MANUFACTURERS	MARKINGS	INTERNATIONAL RATINGS
ETI ESKA ALTECH GEC	LEGRAND SIBA SIEMENS WEBER WICKMANN	Deutschland (D) Österreich (A) Belgien (B) Danemark (DK) Norwegen (N)
FAST BLO-FLINK (QUICK-RESPONSE) Lightning Bolt ⚡ aM		Finland (F) Nederlands (KEMA KEUR) Schweiz (S) Schweden (S)
SLO-BLO TRAG gl, gt, gf Snail		
ULTRA-RAPID gR, aR		

MINIATURE GLASS FUSES



*Specify either FF (Super Fast Blo), F (Fast Blo), M (Medium Blo), T (Slo Blo), and current in MA (Milliamps) or A (Amps). Example: 5 x 20 - F2A.

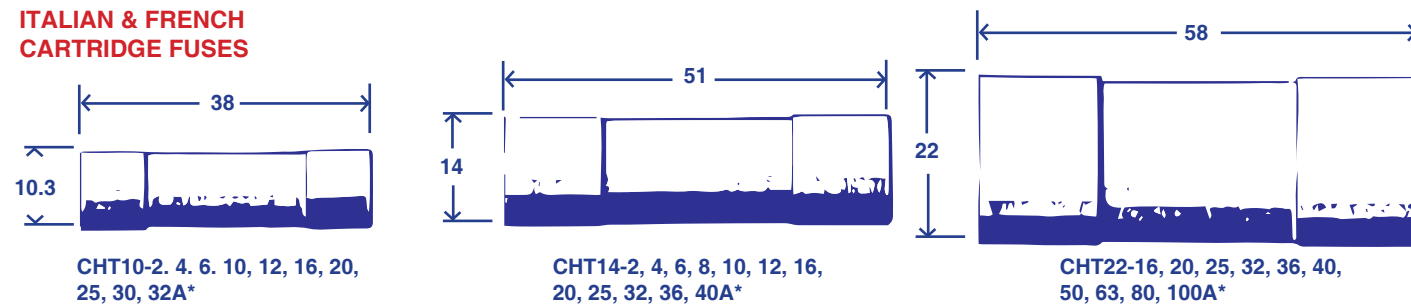
NEOZED FUSES (gl)



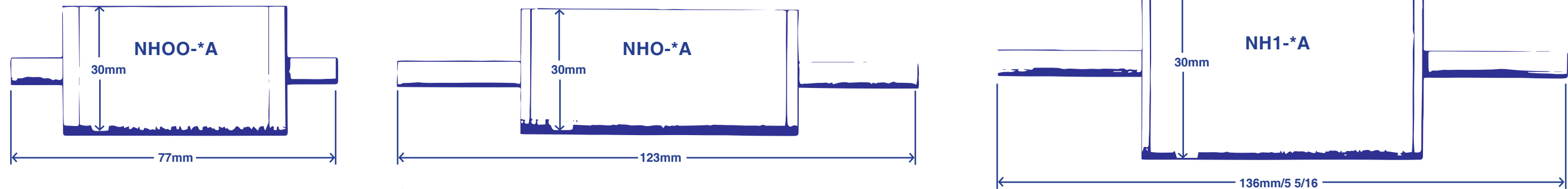
DO1-2A
DO1-4A
DO1-6A
DO1-10A
DO1-16A

DO2-20A
DO2-25A
DO2-35A
DO2-50A
DO2-63A

ITALIAN & FRENCH CARTRIDGE FUSES



"NH" BLADE FUSES 6, 10, 16, 20, 25, 36, 50, 63, 80, 100, 125, 160A



NATIONAL FUSE PRODUCTS

6925 ENGLE RD. UNIT B
MIDDLEBURG HTS, OH 44130

website: www.nationalfuse.com
e-mail: sales@nationalfuse.com

TEL: 440-356-8181
WATS: 800-328-0496
FAX: 440-356-8185